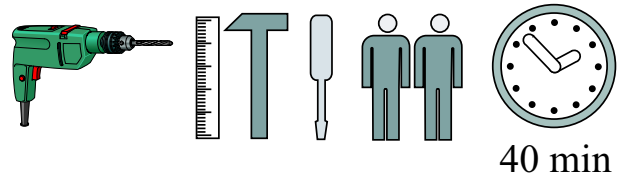
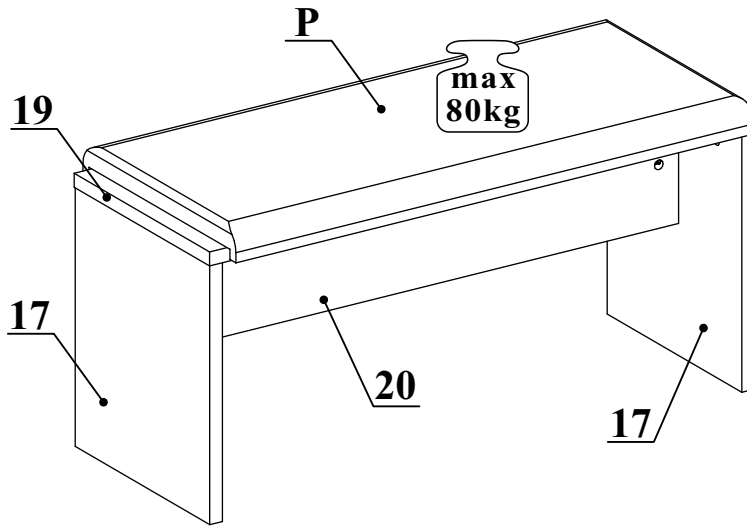
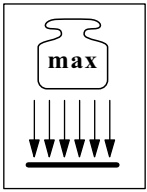
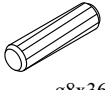
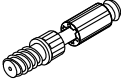


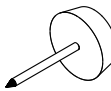



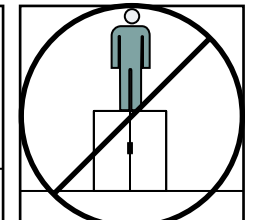
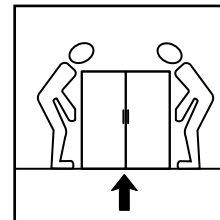
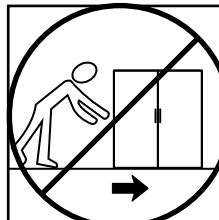
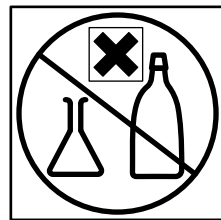
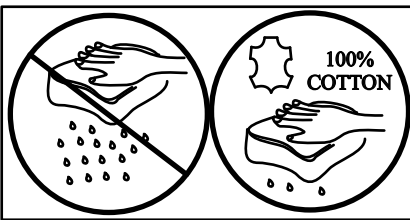
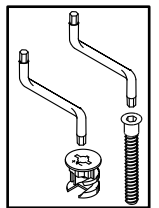
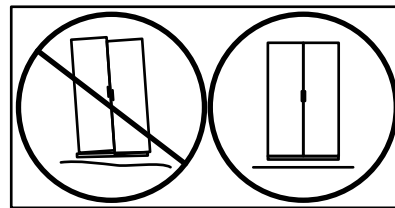
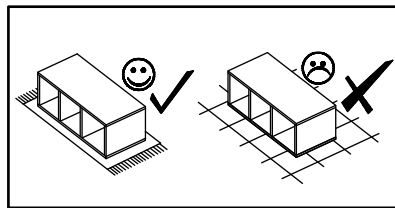
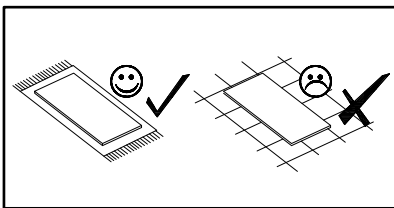
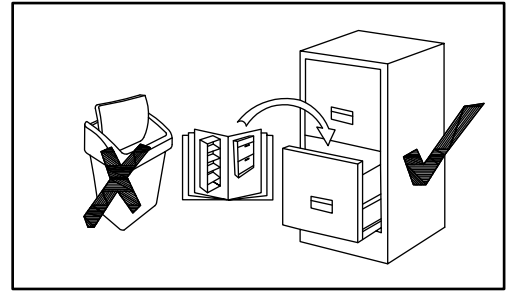
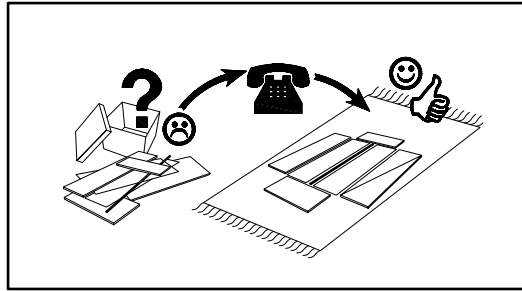
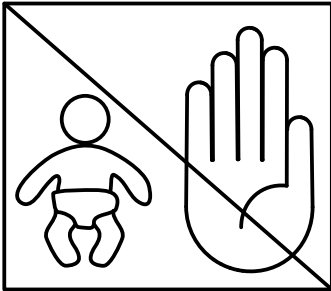
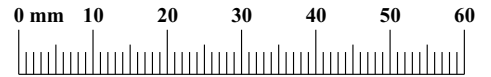
LIPSTICK 36-019-__-6



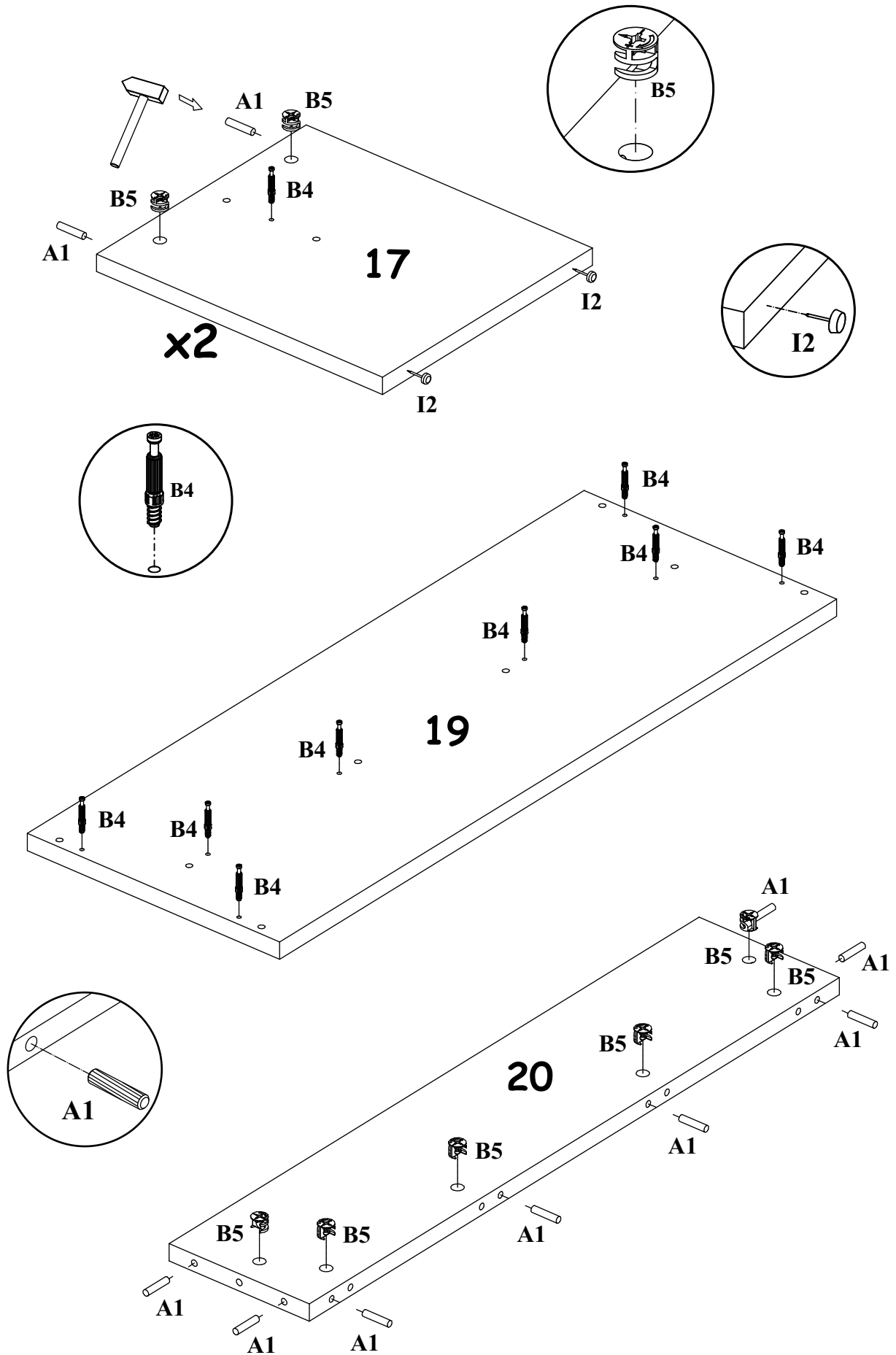
40 min

NO	Dim.		Col.-No	Qty
17	408	358	1	2
19	950	360	1	1
20	904	200	1	1

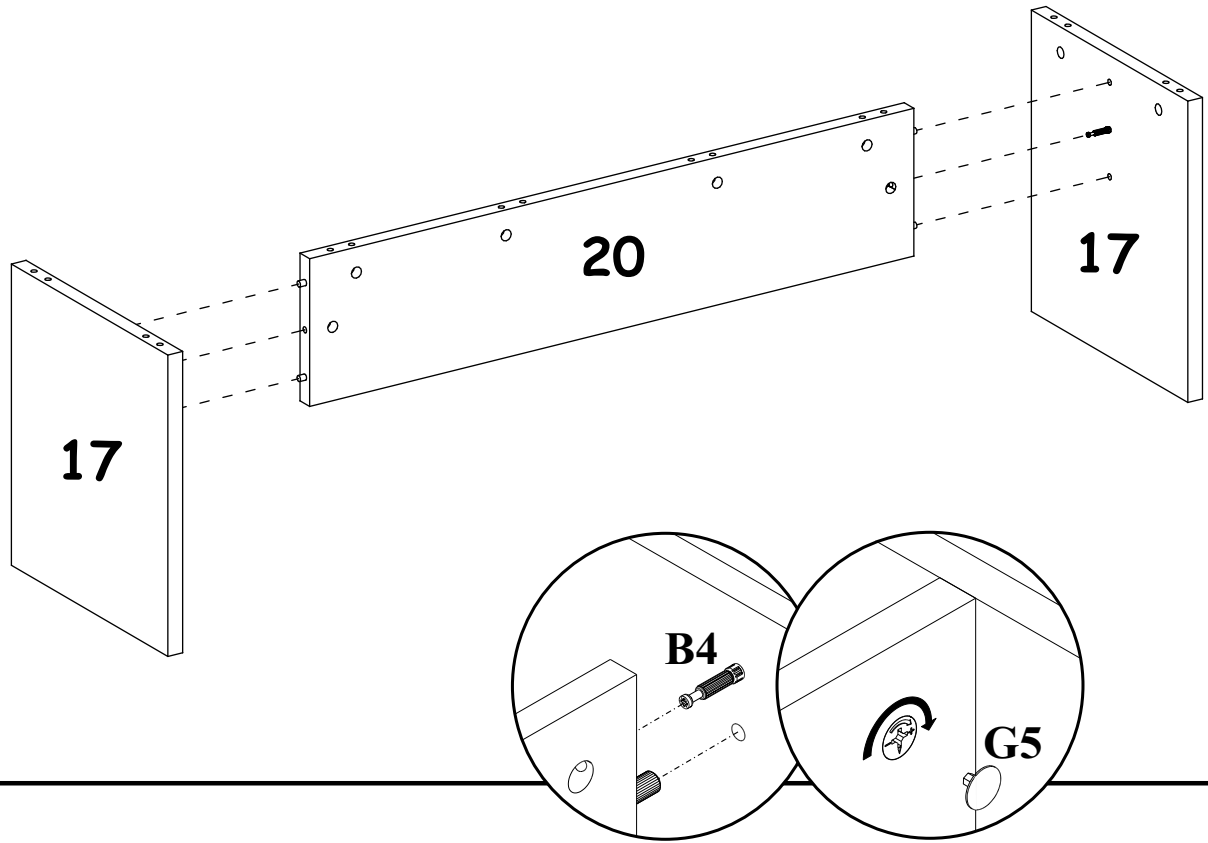
A1 x12	 ø8x36	B4 x10		G5 x10		B16 x10	 Ø15x16	I2 x4		G2 x1	
-----------	--	-----------	---	-----------	---	------------	---	----------	---	----------	---



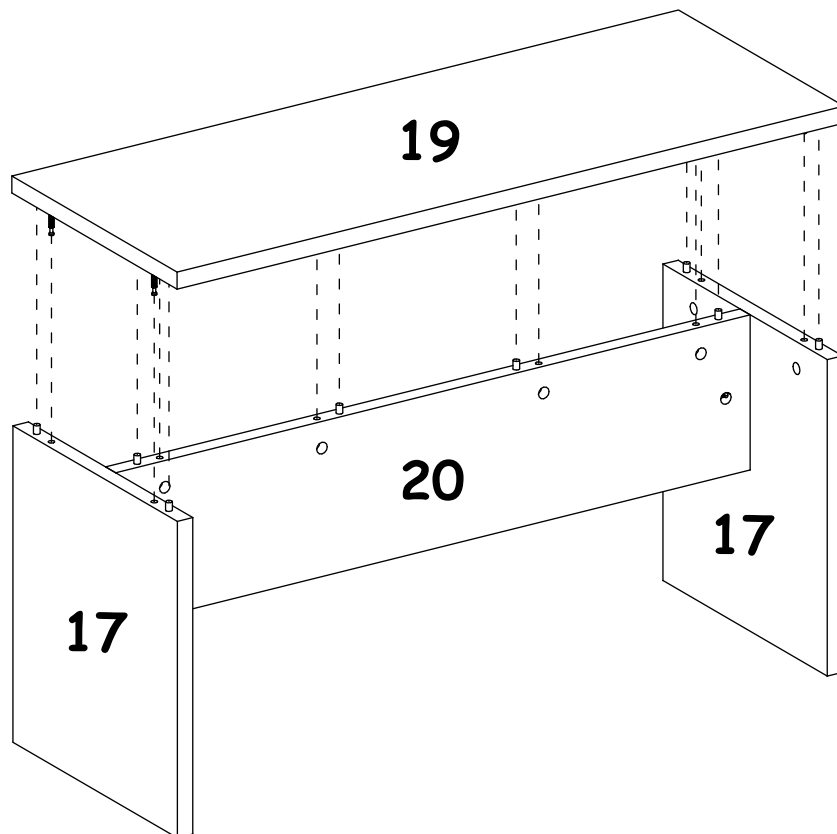
1



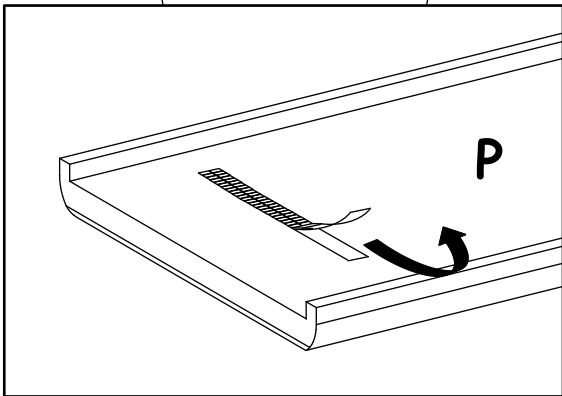
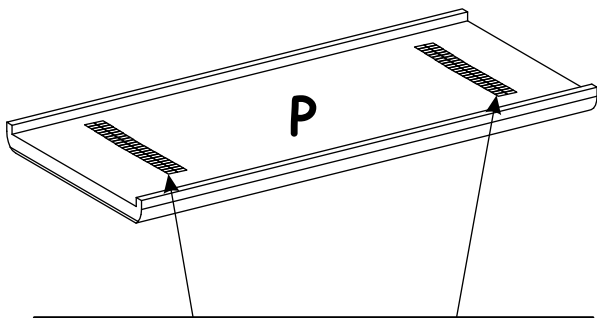
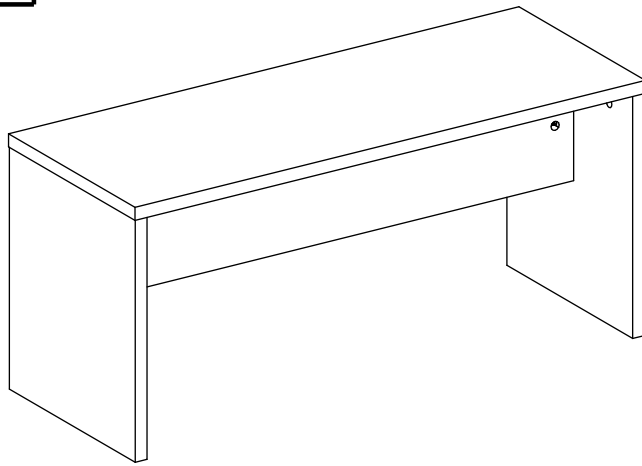
2



3



4



180°

